

## STM60180P15

6 STRING MODULAR COMBINER BOX PV FUSE 15A SWITCH 80A + SURGE PROTECTOR II UN 110VDC

---

<b>Code</b>	029STM60180P15
-------------	----------------

---

<b>EAN</b>	8430892308120
------------	---------------

---

**Product description**

PV modular combiner box 6 strings + fuseholder and fuse 15A gPV + switch-disconnector 80 A , surge protector Un-110V for battery systems. Double insulation class II ABS+PC box suitable for outdoor use with high impact protection (IK08). Dimensions 436x310x148mm.

---

## Combiner box technical data

---

Surge protector	Tipo II
Incoming current rating	1x80A
No. of strings per tracker	6
Number of MPPT trackers	1
Fuse current	15 A
Surge protector code	PST140-110D
Surge protector type	II
Nominal discharge current (In)	20 kA
Maximum discharge current (Imax)	40 kA
Protection level at In (Up)	500 V
Ingress protection IP	IP65 - IEC 60529
Impact protection IK	IK08 - IEC 62262
Standards	IEC EN 6143-1/2

## Dimensions

---

Product height	436 mm
Product width	418 mm
Product length	148 mm

## Logistic data

---

Customs code	85371098
--------------	----------

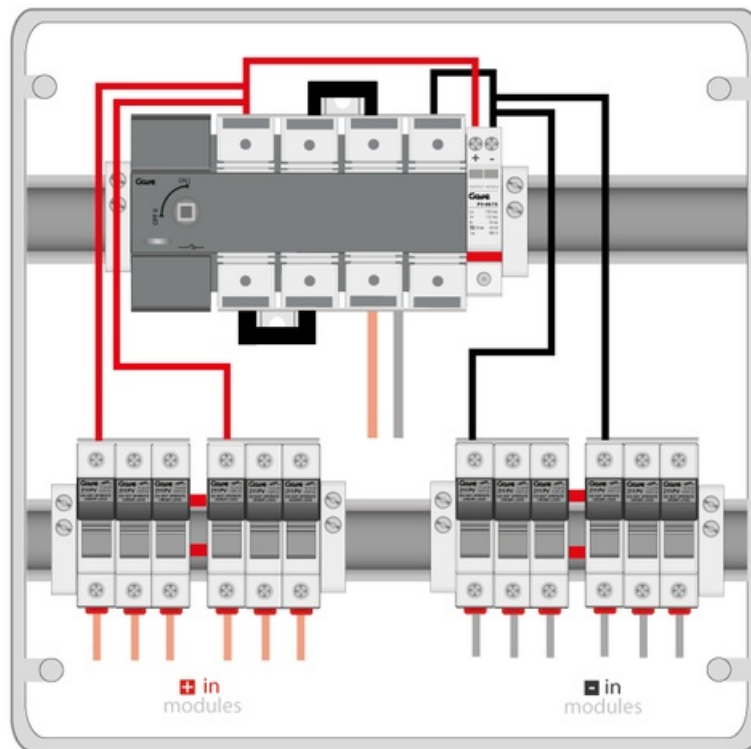
## Technical data

---

Nominal voltage (Un)	110 V
----------------------	-------

## Connection

---



## Dimensions

---

