

STM110NSP12/2

2MPPT 1 STRING SURGE PROTECTION BOX FUSE 12A

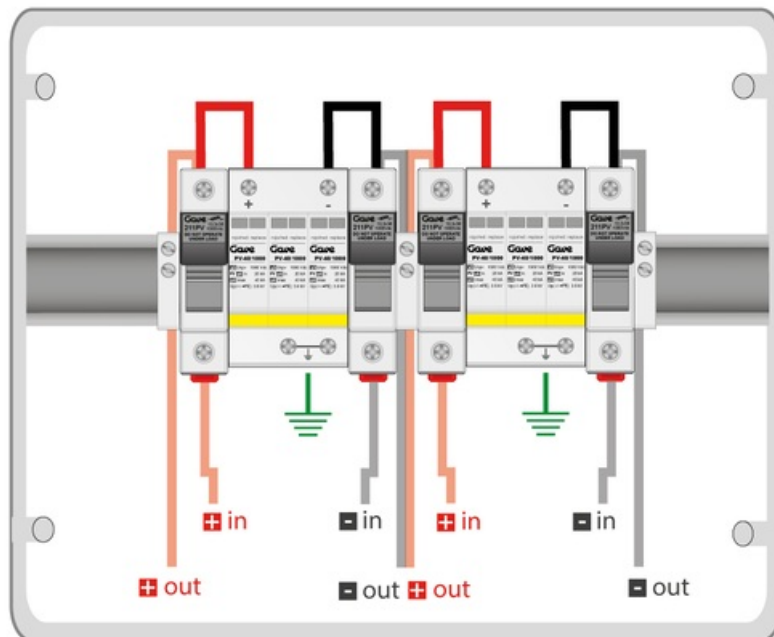


Code	029STM110NSP12/2
EAN	8430892307345
Product description	PV surge protection box 2MPPT, 1 string xMPPT, bases y fusibles 12A gPV + surge protectors class II maximum voltage 1000Vdc, for safe installations. Double insulation class II ABS+PC box suitable for outdoor use with high impact protection (IK08). Dimensions 246x310x148mm.

Combiner box technical data

Voltage	1000 V DC
Surge protector	Tipo II
No. of strings per tracker	1
Number of MPPT trackers	2
Fuse current	12
Surge protector code	2 x PST31PV
Surge protector type	II
Max. continuous operating voltage (Ucpv)	1060 VDC
Nominal discharge current (In)	20 kA
Maximum discharge current (Imax)	40 kA
Protection level at In (Up)	3,6 kV
Ingress protection IP	IP65 - IEC 60529
Impact protection IK	IK08 - IEC 62262
Standards	IEC EN 6143-1/2

Connection



Dimensions

