

ACG522107

ON-OFF SWITCH 3P.25A.+AUX.NO+NC IP65 ENCLOSURE



Code	009ACG522107
EAN	8430892293051

Product description

3-pole 25A + 1NO+1NC auxiliary contact safety switch in IP65 enclosure. E0 polycarbonate enclosure suitable for indoor or outdoor use, RAL7035 grey cover and black base, dimensions 100x130x90. M20 easy-open knockouts, two on top, two on bottom and two at the base. 4 points surface fixing. Base mounted switch with extended shaft and interlock in closed position. Black / grey padlockable handle (up to 4 padlocks of 8mm diameter). Earthing terminal. Connection with cage terminals for 2.5-6 mm² cable.

Logistic data

Customs code	85365080
ETIM code	EC000216
Package units	1

Technical data

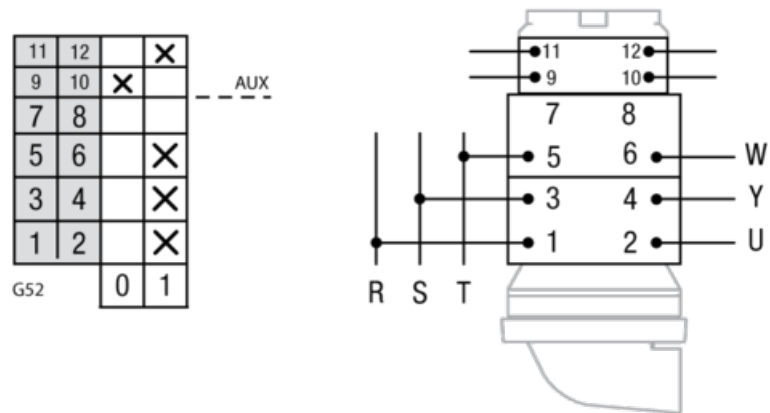
Poles	3
Auxiliary	1NO+1NC
Operational rating (Ie)	25 A
Thermal rating (Ith)	25 A
Wire section (AWG)	6
Wire section rigid	6 - 25 mm ²
Wire section flexible	6 - 16 mm ²
Tightening torque	2 Nm
Connection screws	M5

Terminal



Max. fuse protection (gG/aM)	25/25 A (415 V)
	25/25 A (500 V)
Conditional shortcircuit current (Icc)	6 kA (415 V)
	6 kA (500 V)
Insulating voltage (V~)	690
Insulating voltage (V...)	600
Dummy AC-21A	7,5 kW (3x230 V)
	15 kW (3x415 V)
	18,5 kW (3x500 V)
Mixed load AC-22A	7,5 kW (3x230 V)
	15 kW (3x415 V)
	18,5 kW (3x500 V)
Motor load AC-23A	5,5 kW (3x230 V)
	7,5 kW (3x415 V)
	11 kW (3x500 V)
UL Electric characteristics	2 hp 1-fase (110-120 V)
	3 hp 1-fase (220-240 V)
	2 hp 3-fase (220-240 V)
	3 hp 3-fase (380-415 V)
	5 hp 3-fase (440-480 V)
	7 hp 3-fase (550-600 V)
Standard	IEC 60947-3 UL 508
Enclosure type	PLASTIC

Connection



Dimensions

