

ABG522107

SWITCH 3P 25A D1 PADLOCKABLE ENCLOSURE PCB 1NO+1NC



| | |
|-------------|--------------|
| Code | 009ABG522107 |
|-------------|--------------|

| | |
|------------|---------------|
| EAN | 8430892320955 |
|------------|---------------|

Product description

3-pole 25A + 1NO+1NC auxiliary contact safety switch in IP65 enclosure. E0 polycarbonate enclosure suitable for indoor or outdoor use, RAL7035 grey cover and black base, dimensions 100x130x90. M20 easy-open knockouts, two on top, two on bottom and two at the base. 4 points surface fixing. Base mounted switch with extended shaft and interlock in closed position. Red / yellow padlockable handle (up to 4 padlocks of 8mm diameter). Earthing terminal. Connection with cage terminals for 2.5-6 mm² cable.

Logistic data

| | |
|---------------|----------|
| Customs code | 85365080 |
| Package units | 1 |

Technical data

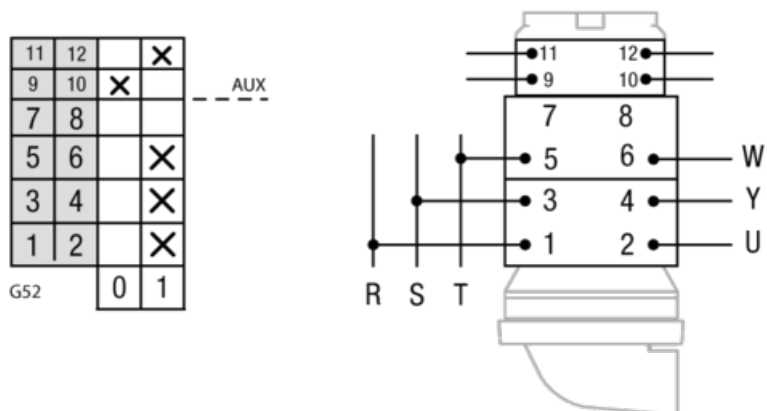
| | |
|-------------------------|------------------------|
| Poles | 3 |
| Auxiliary | 1NO+1NC |
| Operational rating (Ie) | 25 A |
| Thermal rating (Ith) | 25 A |
| Wire section (AWG) | 6 |
| Wire section rigid | 6 - 25 mm ² |
| Wire section flexible | 6 - 16 mm ² |
| Tightening torque | 2 Nm |
| Connection screws | M5 |

Terminal



| | |
|--|-------------------------|
| Max. fuse protection (gG/aM) | 25/25 A (415 V) |
| | 25/25 A (500 V) |
| Conditional shortcircuit current (Icc) | 6 kA (415 V) |
| | 6 kA (500 V) |
| Insulating voltage (V~) | 690 |
| Insulating voltage (V...) | 600 |
| Dummy AC-21A | 7,5 kW (3x230 V) |
| | 15 kW (3x415 V) |
| | 18,5 kW (3x500 V) |
| Mixed load AC-22A | 7,5 kW (3x230 V) |
| | 15 kW (3x415 V) |
| | 18,5 kW (3x500 V) |
| Motor load AC-23A | 5,5 kW (3x230 V) |
| | 7,5 kW (3x415 V) |
| | 11 kW (3x500 V) |
| UL Electric characteristics | 2 hp 1-fase (110-120 V) |
| | 3 hp 1-fase (220-240 V) |
| | 2 hp 3-fase (220-240 V) |
| | 3 hp 3-fase (380-415 V) |
| | 5 hp 3-fase (440-480 V) |
| | 7 hp 3-fase (550-600 V) |
| Standard | IEC 60947-3 |
| | UL 508 |
| Enclosure type | PLASTIC |

Connection



Dimensions

