

A-7620000

AMMETER SWITCH 3 DIRECT CIRCUITS 12A.D0




Code	009A-7620000
EAN	8430892106832
Product description	3 circuits ammeter switch (direct or with transformer) , IP20 with 0-R-S-T grey front plate 48x48 for panel fixing. 12A. Size D0. Ergonomic screwless quick-mount handle. Connection with cage terminals for 2.5-6 mm ² cable. Compatible with multiple accessories from the A5 series.

Logistic data

Customs code	85365080
ETIM code	EC002611
Package units	1
Product gross weight (kg)	0.235
Package height (mm)	110
Package width (mm)	50
Package length (mm)	50

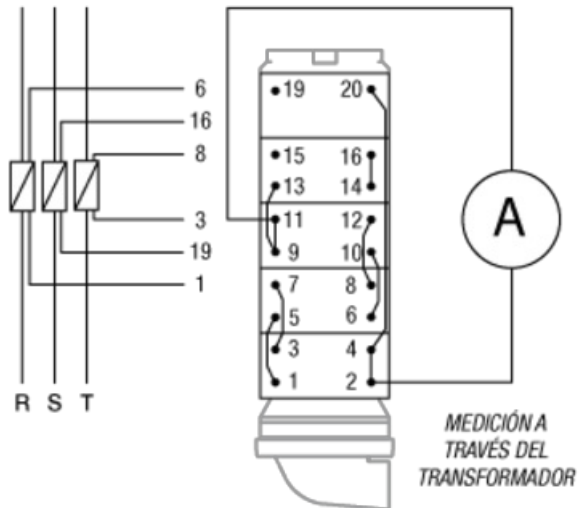
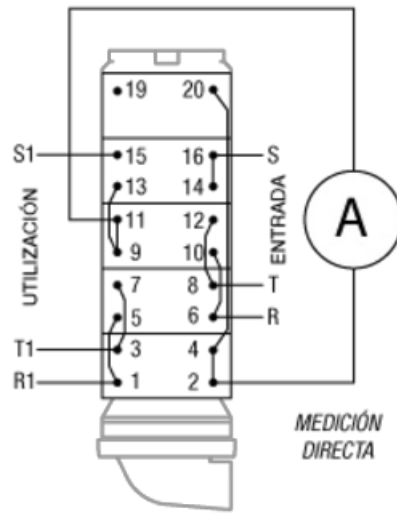
Technical data

Poles	NA/NA
Operational rating (Ie)	12A
Thermal rating (Ith)	16 A
Wire section (AWG)	10
Wire section rigid	2,5 - 6 mm ²
Wire section flexible	2,5 - 6 mm ²
Tightening torque	1,6 Nm
Connection screws	M4
Terminal	
Max. fuse protection (gG/aM)	25/25 A (415 V) 25/25 A (500 V)
Conditional shortcircuit current (Icc)	6 kA (415 V) 6 kA (500 V)
Insulating voltage (V~)	690
Insulating voltage (V...)	400
Dummy AC-21A	3 kW (3x230 V) 7,5 kW (3x415 V) 11 kW (3x500 V)
Mixed load AC-22A	2,2 kW (3x230 V) 5,5 kW (3x415 V) 7,5 kW (3x500 V)
Motor load AC-23A	2,2 kW (3x230 V) 4 kW (3x415 V) 5,5 kW (3x500 V)
UL Electric characteristics	1 hp 1-fase (110-120 V) 1,5 hp 1-fase (220-240 V) 1 hp 3-fase (220-240 V) 2 hp 3-fase (380-415 V) 3 hp 3-fase (440-480 V) 3 hp 3-fase (550-600 V)
Standard	IEC 60947-3 UL 508
Handle type	Directo

Connection

19	20			**	
15	16		**	**	
13	14		**	**	
11	12			**	**
9	10	**	**		
7	8			**	**
5	6	**	**		
3	4			**	**
1	2	**	**		
		0	R	S	T

762



Dimensions

