

A-7611000

AMMETER SWITCH 2 DIRECT CIRCUITS 16A.D0

Code	009A-7611000
-------------	--------------

EAN	8430892106771
------------	---------------

Product description

2 circuits ammeter switch (direct or with transformer) , IP20 with R-0-S grey front plate 48x48 for panel fixing. 16A. Size D0. Ergonomic screwless quick-mount handle. Connection with cage terminals for 2.5-6 mm² cable. Compatible with multiple accessories from the A5 series.

Logistic data

Customs code	85365080
ETIM code	EC002611
Package units	1
Package height (mm)	82
Package width (mm)	50
Package length (mm)	50

Technical data

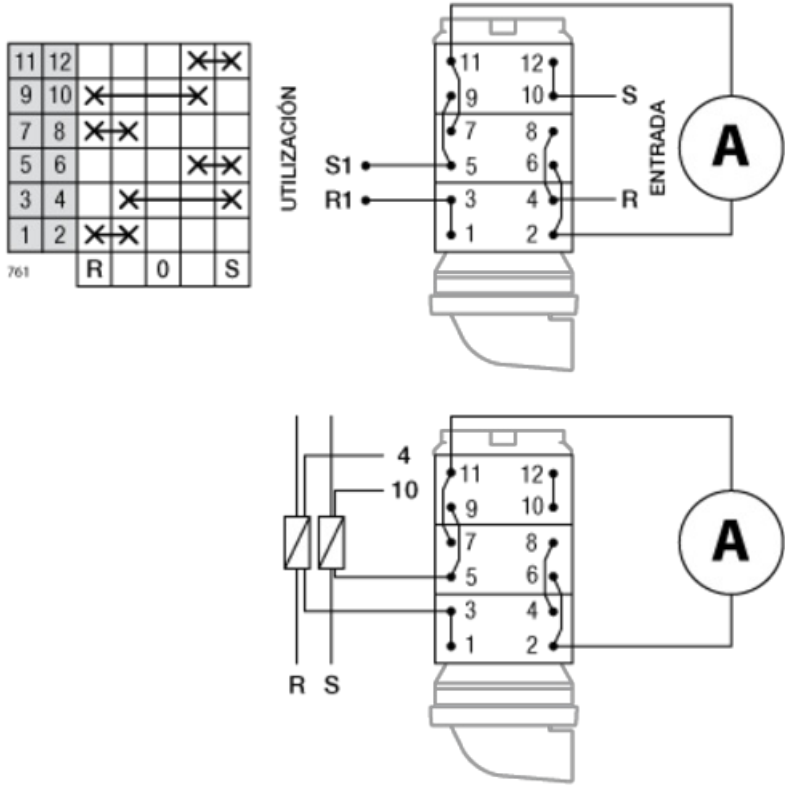
Poles	NA/NA
Operational rating (Ie)	16 A
Thermal rating (Ith)	20 A
Wire section (AWG)	10
Wire section rigid	2,5 - 6 mm ²
Wire section flexible	2,5 - 6 mm ²
Tightening torque	1,6 Nm
Connection screws	M4

Terminal



Max. fuse protection (gG/aM)	25/25 A (415 V)
	25/25 A (500 V)
Conditional shortcircuit current (Icc)	6 kA (415 V)
	6 kA (500 V)
Insulating voltage (V~)	690
Insulating voltage (V...)	400
Dummy AC-21A	5,5 kW (3x230 V)
	11 kW (3x415 V)
	15 kW (3x500 V)
Mixed load AC-22A	4 kW (3x230 V)
	7,5 kW (3x415 V)
	11 kW (3x500 V)
Motor load AC-23A	3 kW (3x230 V)
	5,5 kW (3x415 V)
	7,5 kW (3x500 V)
UL Electric characteristics	1,5 hp 1-fase (110-120 V)
	2 hp 1-fase (220-240 V)
	2 hp 3-fase (220-240 V)
	2 hp 3-fase (380-415 V)
	3 hp 3-fase (440-480 V)
Standard	5 hp 3-fase (550-600 V)
	IEC 60947-3
	UL 508
Handle type	Directo

Connection



Dimensions

