

## ACT-E1C

AC THREE-PHASE COMBINER BOX ENPHASE 1 CIRCUIT



**Code**

029ACT-E1C

**EAN**

8430892317160

---

## Combiner box technical data

---

MCB - Circuit breaker	20 A
Curve	C
Breaking capacity EN 60898-1	6 kA
RCCB type	A - 30mA (EN 61008-1)
Enphase devices	Q Relay + Envoy
Enphase current transformers	CT Production
Inverter AC output	3P+N
Surge protector	Class II
Diferential type	30mA
Surge protector code	PSTC440
Surge protector type	II
Nominal discharge current (In)	20 kA
Maximum discharge current (Imax)	40 kA
Protection level at In (Up)	1.5 kV
Ingress protection IP	IP65 - IEC 60529
Impact protection IK	IK08 - IEC 62262

## Dimensions

---

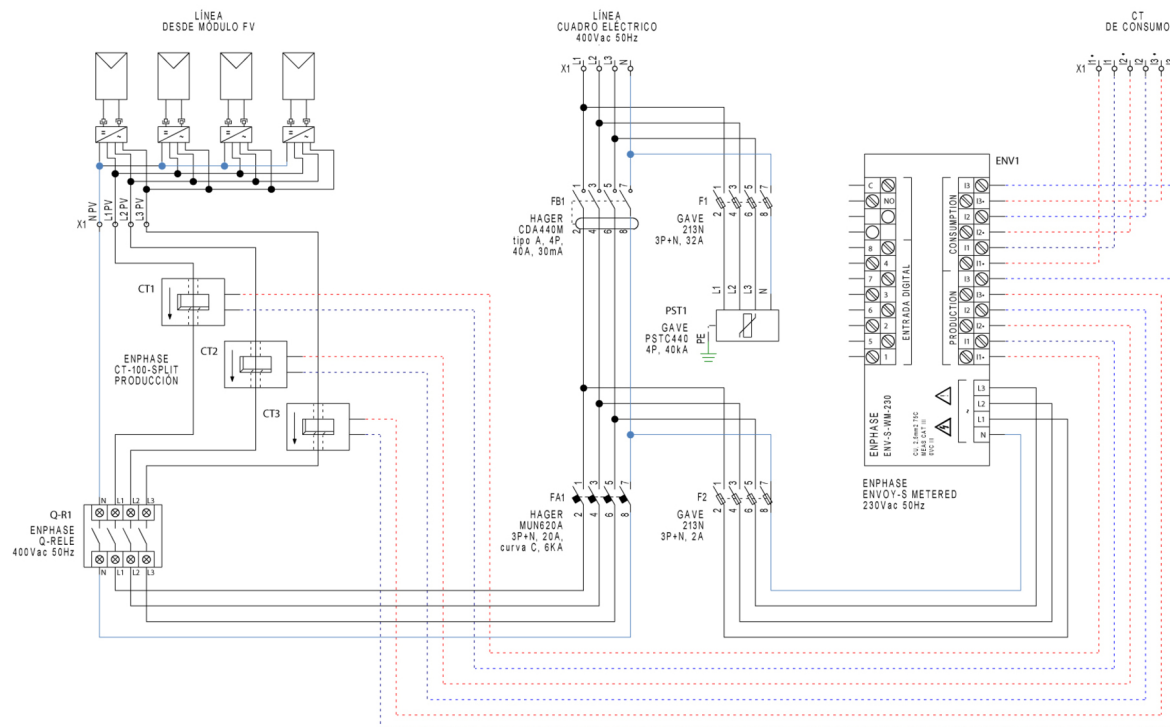
Product height	586
Product width	418
Product length	148

## Logistic data

---

Customs code	85371098
--------------	----------

## Connection



## Dimensions

