

## ACM-E1C

AC SINGLE-PHASE COMBINER BOX ENPHASE 1 CIRCUIT



---

<b>Code</b>	029ACM-E1C
<b>EAN</b>	8430892317146

---

## Combiner box technical data

MCB - Circuit breaker	20 A
Curve	C
Breaking capacity EN 60898-1	6 kA
RCCB type	A - 30mA (EN 61008-1)
Enphase devices	Q Relay + Envoy
Enphase current transformers	CT Production + CT Consumption
Inverter AC output	1P+N
Diferential type	30mA
Surge protector code	PSTC40
Surge protector type	II
Ingress protection IP	IP65 - IEC 60529
Impact protection IK	IK08 - IEC 62262

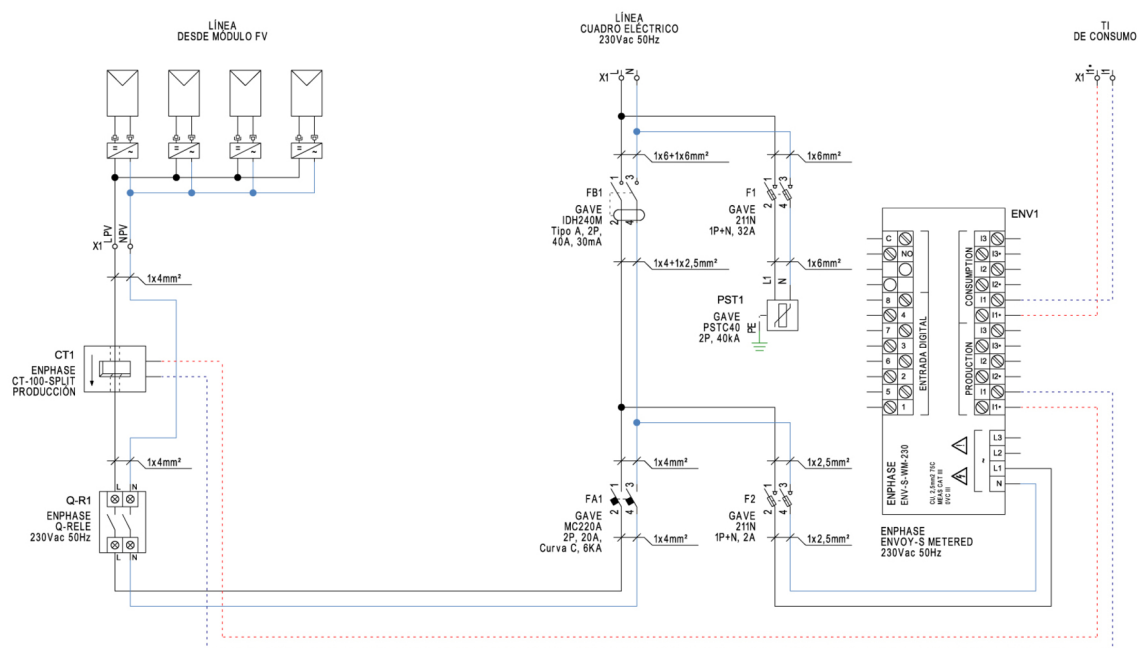
## Dimensions

Product height	436 mm
Product width	418 mm
Product length	148 mm

## Logistic data

Customs code	85371098
--------------	----------

## Connection



**Dimensions**

---

